



TW Brand Steam Trap Class 16K No.4



Product Description

Size : 1/2"~1"

Non Air Binding

Features:

Test Pressure of Body: 32 Kg/cm²

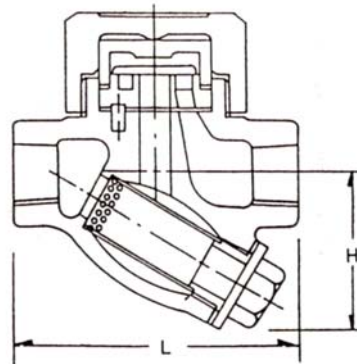
Working Pressure: 0.3 Kg/cm² ~ 16 Kg/cm²

Max Temperature: 220°C

Thread: BSP

Material:

Body	Iron
Bonnet/Plug	Iron
Seat	SS410
Disc	SS304
Seal	PTFE
Packing	PTFE
Screen	SS304



Dimension: (mm)

Size	inch	1/2"	3/4"	1"
	mm	15	20	25
L		96	105	115
H		56	65	70

Capacity: (kg/hr)

P (kg/cm ²)	0.3	0.6	1	2	3	4	5	6	8	10	12	14	16
15	160	205	250	320	380	420	460	490	540	590	630	660	690
20	230	295	360	460	530	590	640	690	770	840	900	960	1000
25	290	380	460	590	680	760	820	880	980	1060	1130	1200	1260